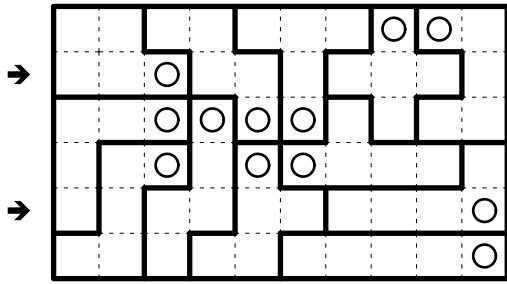
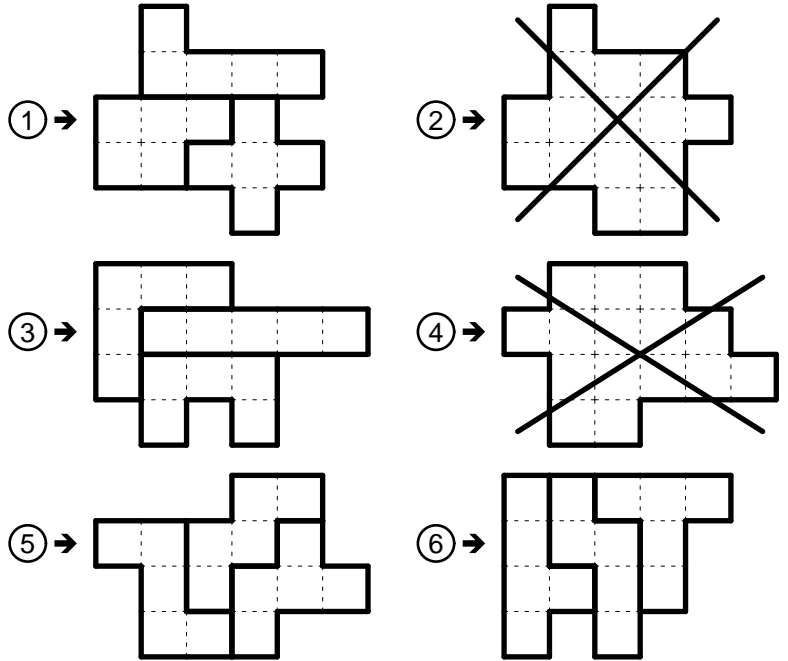


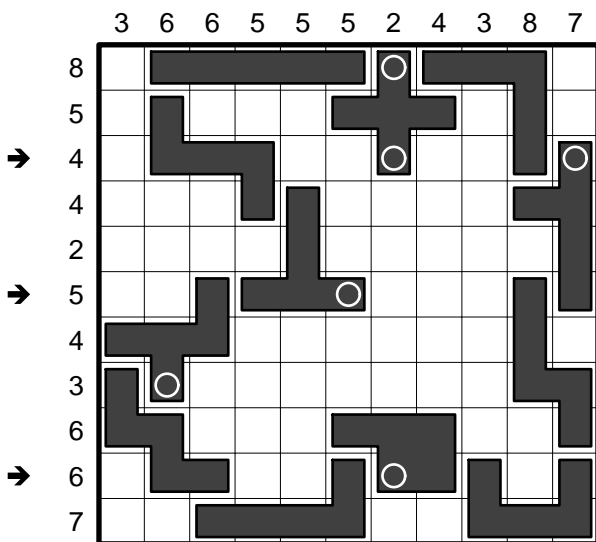
1. Pentomino Division



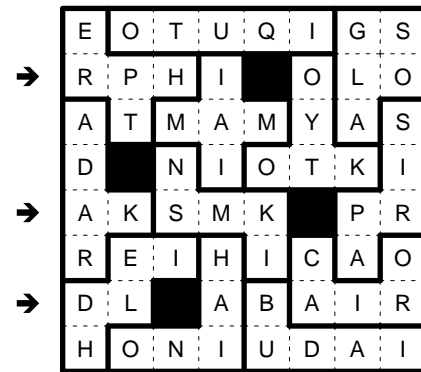
2. Pentomino Triplets



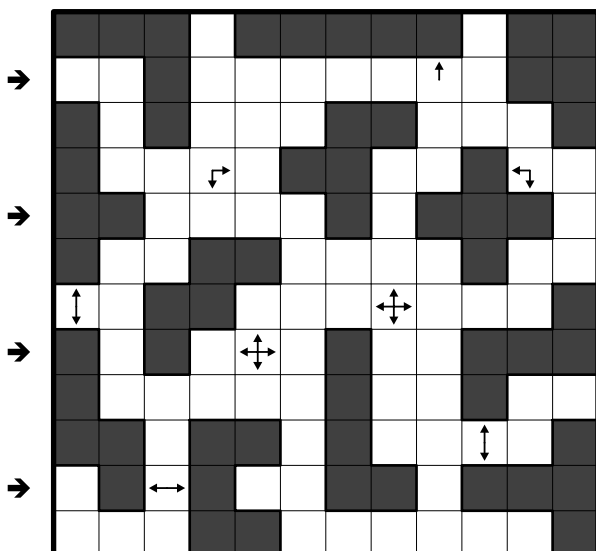
3. Pentomino Loop



4. Pentomino Words



5. Full Pentopia



6. Touching Pentominoes

